

**ILLUSTRATED PARTS LIST**

**MODEL NUMBER ST 227**

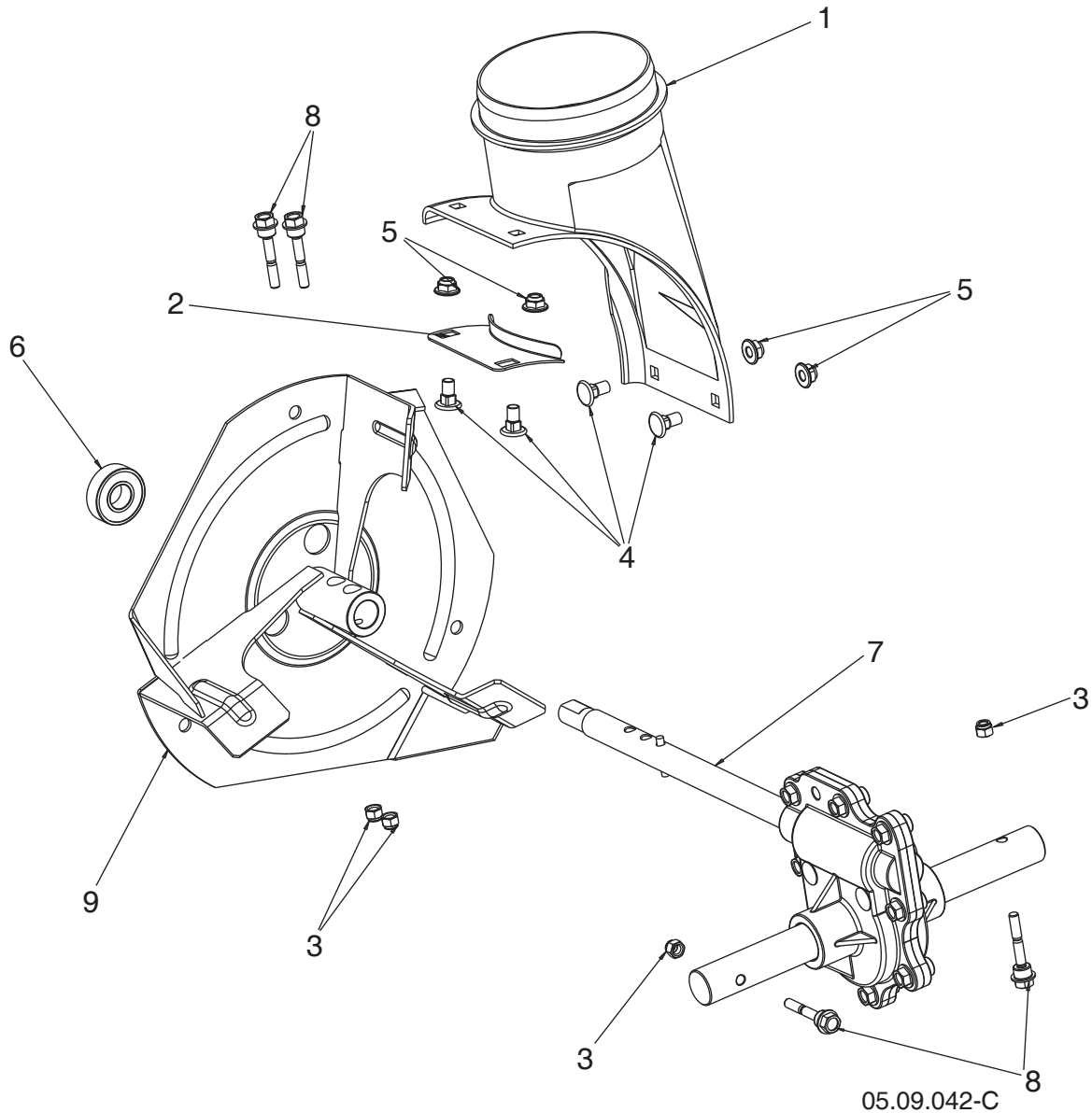
**PRODUCT NUMBER 970 46 89-01**

**MFG. ID. NUMBER 97046890100**

# REPAIR PARTS

# AUGER HOUSING / IMPELLER ASSEMBLY

SNOW THROWER - MODEL NO. ST 227 (97046890100), PRODUCT NO. 970 46 89-01



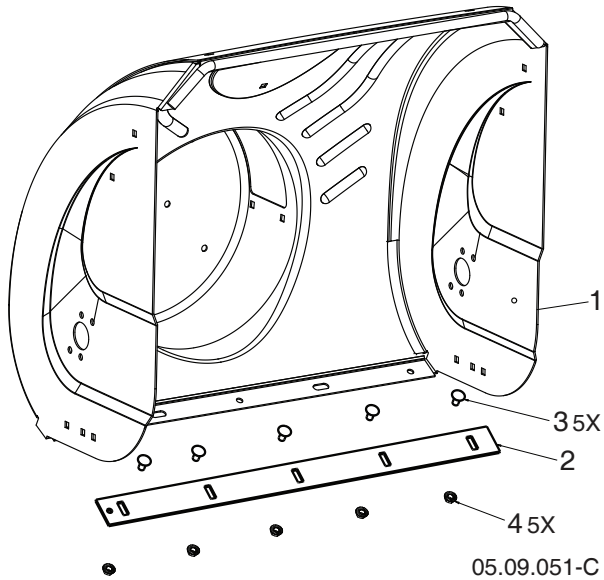
Ref.	Part No.	Description
1	585 05 69-01	CHUTE.DISCHARGE.BASE
2	597 43 30-02	BRACKET.CORNER.DISCHARGE.
3	595 08 66-01	NUT.HEX.NYLOC.1/4-20
4	585 69 12-01	BOLT CAR WAF BLK 5/16-18 X .488
5	585 69 13-01	NUT.HEX.FLANGE.5/16-18 NYLOCK
6	532 19 87-91	BEARING.1501389.BALL
7	597 67 19-01	TRANSMISSION.GEARBOX.ALUM.DD
8	588 07 75-02	BOLT. 1/4-20 X 1- 13/16 SHEAR
9	586 60 72-02	IMPELLER.STEEL.SNOW.479

**NOTE:** All component dimensions given in U.S. inches. 1 inch = 25.4 mm  
**IMPORTANT:** Use only Original Equipment Manufacturer (O.E.M.) replacement parts. Failure to do so could be hazardous, damage your snow thrower and void your warranty.

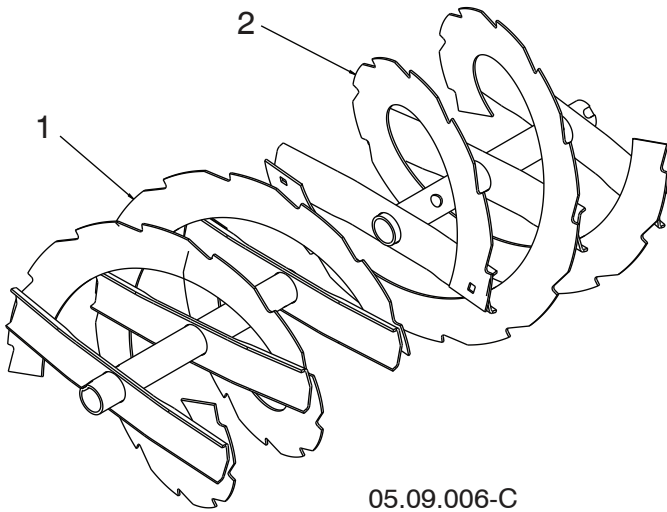
# REPAIR PARTS

# AUGER HOUSING / IMPELLER ASSEMBLY

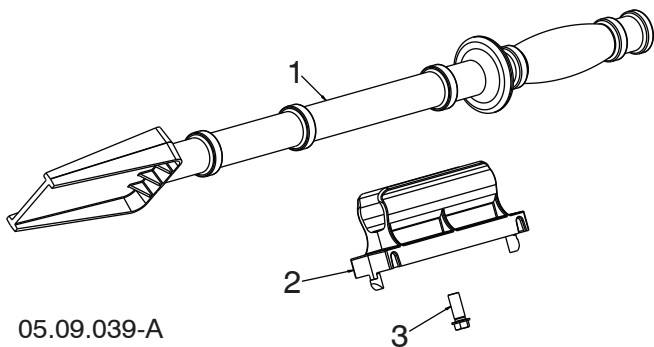
SNOW THROWER - MODEL NO. ST 227 (97046890100), PRODUCT NO. 970 46 89-01



Ref.	Part No.	Description
1	593 87 34-02	AUGER HOUSING
2	532 40 49-32	SCRAPER BAR
3	596 03 94-01	CARRIAGE BOLT 5/16-18 X 5/8 GR5
4	596 03 92-01	NUT 5/16-18



Ref.	Part No.	Description
1	532 42 04-95	AUGER LH 27
2	532 42 04-96	AUGER RH 27



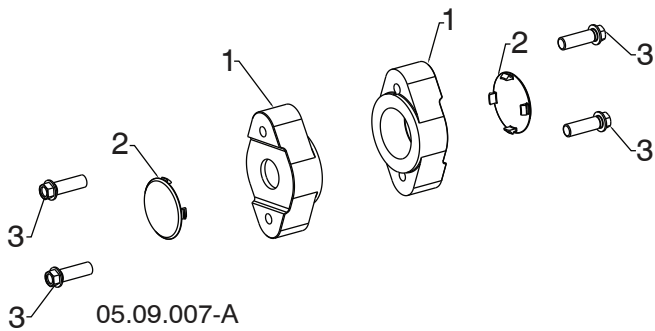
Ref.	Part No.	Description
1	532 19 21-99	TOOL CLEANOUT
2	532 40 54-00	CLIP CLEANOUT TOOL
3	532 19 41-89	SCREW HEX WASHER 13-16 X 5/8

**NOTE:** All component dimensions given in U.S. inches. 1 inch = 25.4 mm  
**IMPORTANT:** Use only Original Equipment Manufacturer (O.E.M.) replacement parts. Failure to do so could be hazardous, damage your snow thrower and void your warranty.

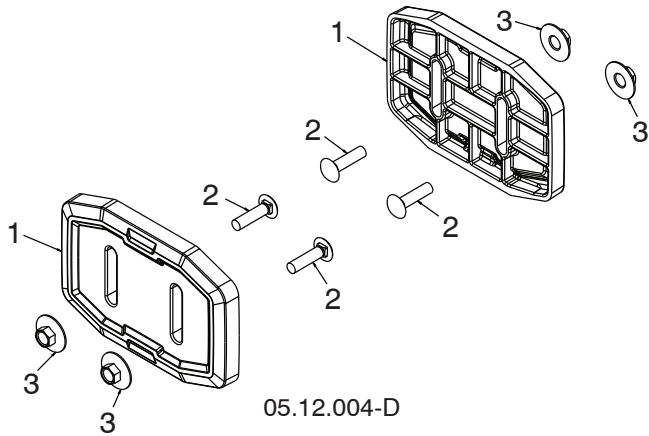
# REPAIR PARTS

# AUGER HOUSING / IMPELLER ASSEMBLY

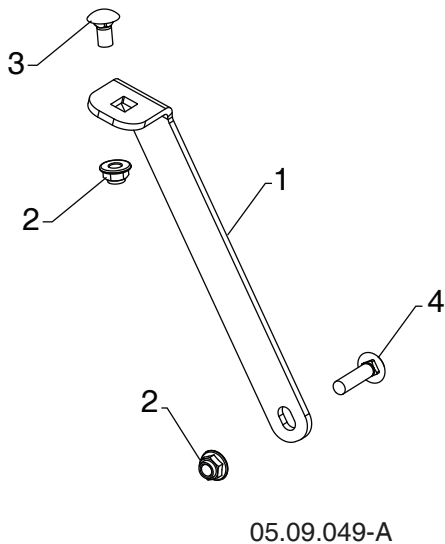
SNOW THROWER - MODEL NO. ST 227 (97046890100), PRODUCT NO. 970 46 89-01



Ref.	Part No.	Description
1	532 42 04-78	AUGER BEARING
2	532 41 19-39	BEARING PLUG
3	584 29 94-01	SCREW HI-LO WASHD 5/16-14 X 1.00



Ref.	Part No.	Description
1	583 83 88-01	SKID SHOE UHMW
2	585 80 29-01	BOLT CARR BLK 5/16-18 X 1.25
3	585 80 28-01	NUT HEX 5/16-18 LRG FLG



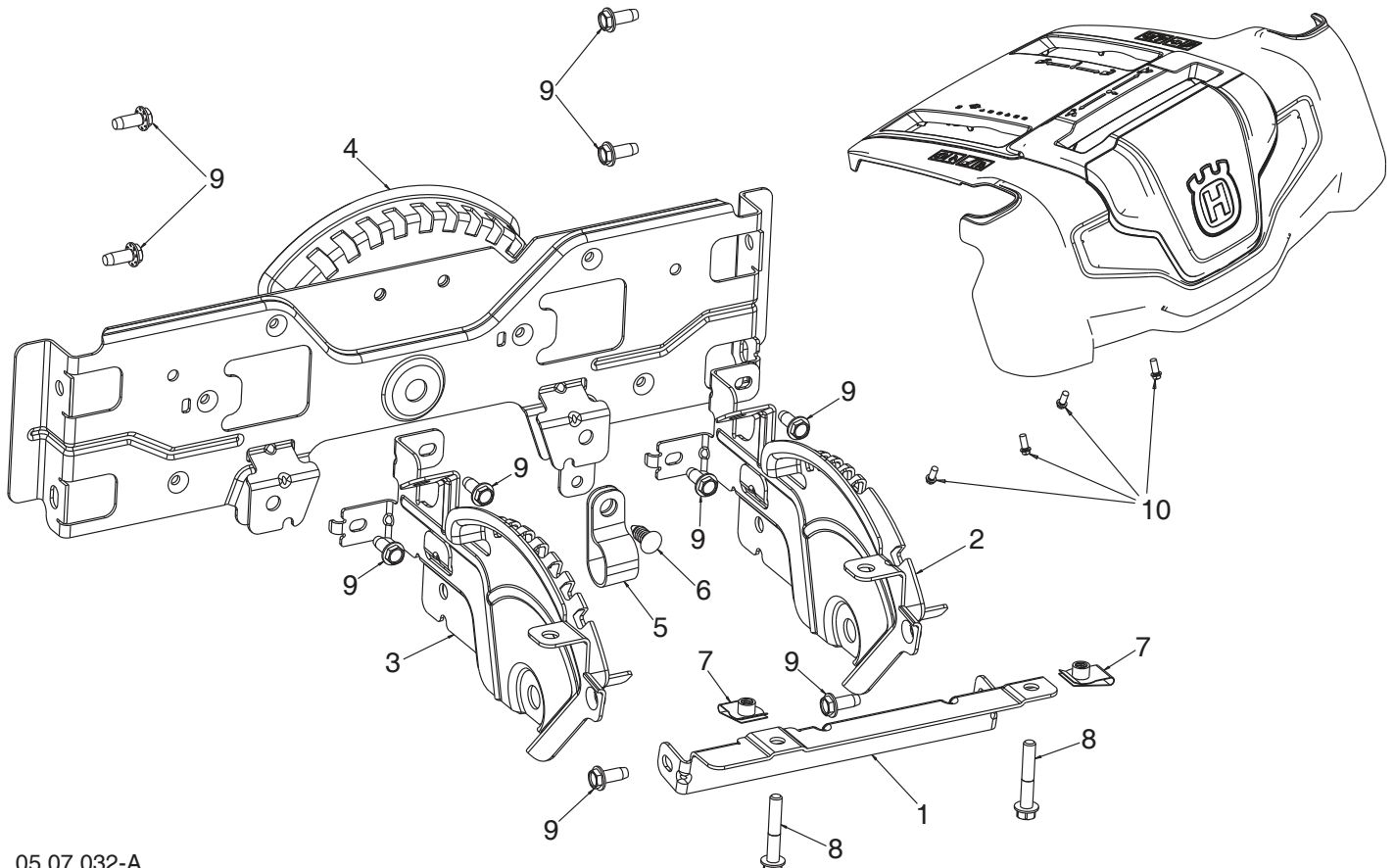
Ref.	Part No.	Description
1	589 32 30-02	SUPPORT GEARBOX LS
2	585 69 13-01	NUT HEX FLG NYLOCK BLK 5/16-18
3	585 83 20-01	BOLT CARRIAGE BLK 5/16-18 X 5/8 BLK
4	872 11 05-10	BOLT CARRIAGE 5/16-18 X 1-1/4

**NOTE:** All component dimensions given in U.S. inches. 1 inch = 25.4 mm  
**IMPORTANT:** Use only Original Equipment Manufacturer (O.E.M.) replacement parts. Failure to do so could be hazardous, damage your snow thrower and void your warranty.

# REPAIR PARTS

# CONTROL PANEL / DISCHARGE CHUTE

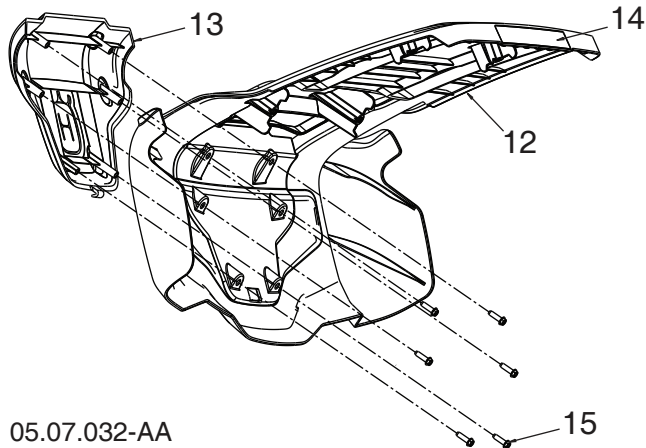
SNOW THROWER - MODEL NO. ST 227 (97046890100), PRODUCT NO. 970 46 89-01



05.07.032-A

Ref.	Part No.	Description
1	597 99 19-02	BRACKET REAR MNT
2	597 99 22-02	BRACKET ASM SPEED CONTROL
3	597 99 23-02	BRACKET ASM DEFLECTOR CONTROL
4	597 99 24-02	BRACKET ASM FRONT MNT
5	532 19 79-91	P-CLIP
6	532 42 81-24	FIR TREE FASTENER

Ref.	Part No.	Description
7	532 41 76-93	1/4-20 U-NUT
8	501 40 66-01	SCREW HEX HD 1/4-20 X 1.50
9	817 06 04-10	SCREW HEX WASHER HD 1/4-20 X 5/8
10	532 19 41-89	SCREW HI-LO 13-16 X 5/8 HEX WASHER HD



05.07.032-AA

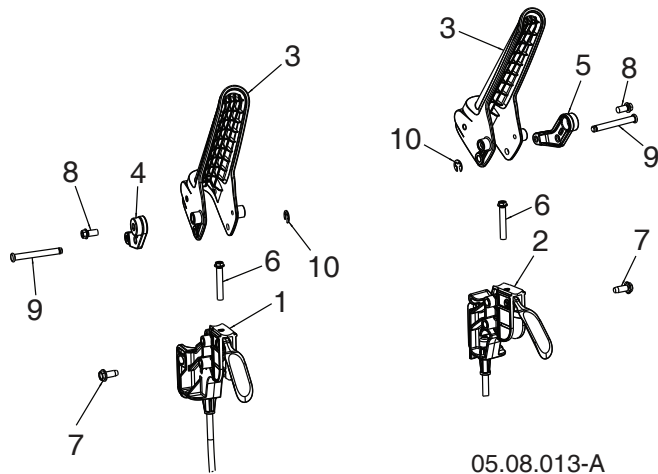
Ref.	Part No.	Description
12	598 80 37-01	CONSOLE BASE
13	598 80 38-01	CONSOLE APPLIQUE
14	598 81 20-01	WARNING DECAL - SNOW
15	532 16 34-09	FLANGE HEAD SCREW 12-16 HI-LOW X .625L

**NOTE:** All component dimensions given in U.S. inches. 1 inch = 25.4 mm  
**IMPORTANT:** Use only Original Equipment Manufacturer (O.E.M.) replacement parts. Failure to do so could be hazardous, damage your snow thrower and void your warranty.

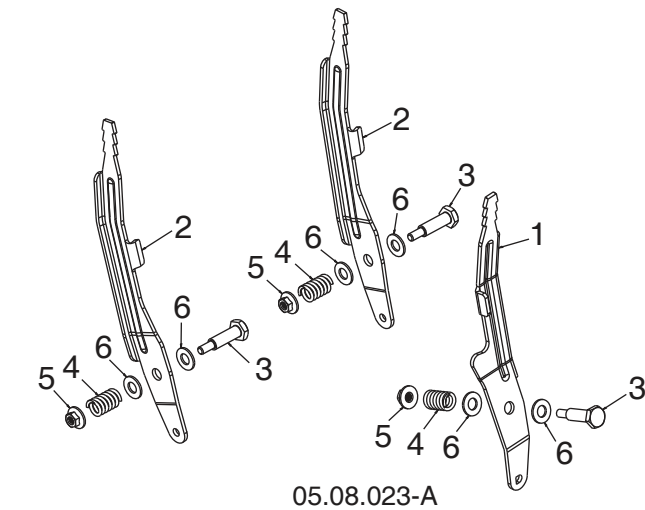
# REPAIR PARTS

# CONTROL PANEL / DISCHARGE CHUTE

SNOW THROWER - MODEL NO. ST 227 (97046890100), PRODUCT NO. 970 46 89-01



Ref.	Part No.	Description
1	588 26 39-01	CABLE, POWER STEER - LHS
2	588 26 39-02	CABLE, POWER STEER - RHS
3	587 46 30-01	LEVER, CONTROL
4	587 73 97-01	LEVER, CABLE ARM - LHS
5	587 73 97-02	LEVER, CABLE ARM - RHS
6	581 32 95-01	SCREW HI-LO 13-16 X 1.50
7	817 06 04-10	SCREW 1/4-20 X .625
8	817 41 13-08	SCREW HI-LW 13-16 X .500
9	588 14 77-01	PIN, GROOVED
10	812 00 00-14	E-RING



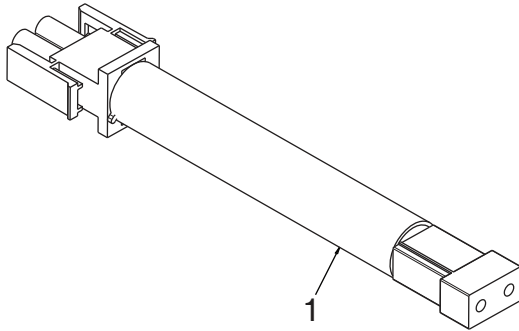
Ref.	Part No.	Description
1	596 78 68-02	LEVER CONTROL CHUTE ROTATOR D HOLE
2	581 12 39-02	LEVER CONTROL SPEED/DEFLECTOR
3	581 32 97-02	BOLT SHOULDER 1/4-20
4	581 32 96-01	SPRING COMPRESSION
5	586 66 89-01	NUT FL LOCK 1/4-20
6	532 17 92-46	WASHER NYLON .375ID x .750OD x .062THK

**NOTE:** All component dimensions given in U.S. inches. 1 inch = 25.4 mm  
**IMPORTANT:** Use only Original Equipment Manufacturer (O.E.M.) replacement parts. Failure to do so could be hazardous, damage your snow thrower and void your warranty.

# REPAIR PARTS

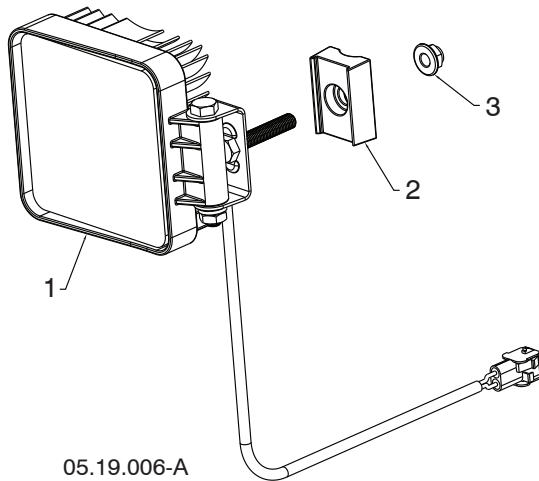
# CONTROL PANEL / DISCHARGE CHUTE

SNOW THROWER - MODEL NO. ST 227 (97046890100), PRODUCT NO. 970 46 89-01



Ref.	Part No.	Description
1	598 45 87-01	HARNES ELEC JUMPER LIGHT TO ENGINE

05.19.013-A



Ref.	Part No.	Description
1	590 07 13-01	4.25 X 4.25 LIGHT
2	590 73 98-01	LIGHT MOUNTING BRACKET
3	532 42 79-42	HEX HD 5/16-18 FLANGE NYLOCK

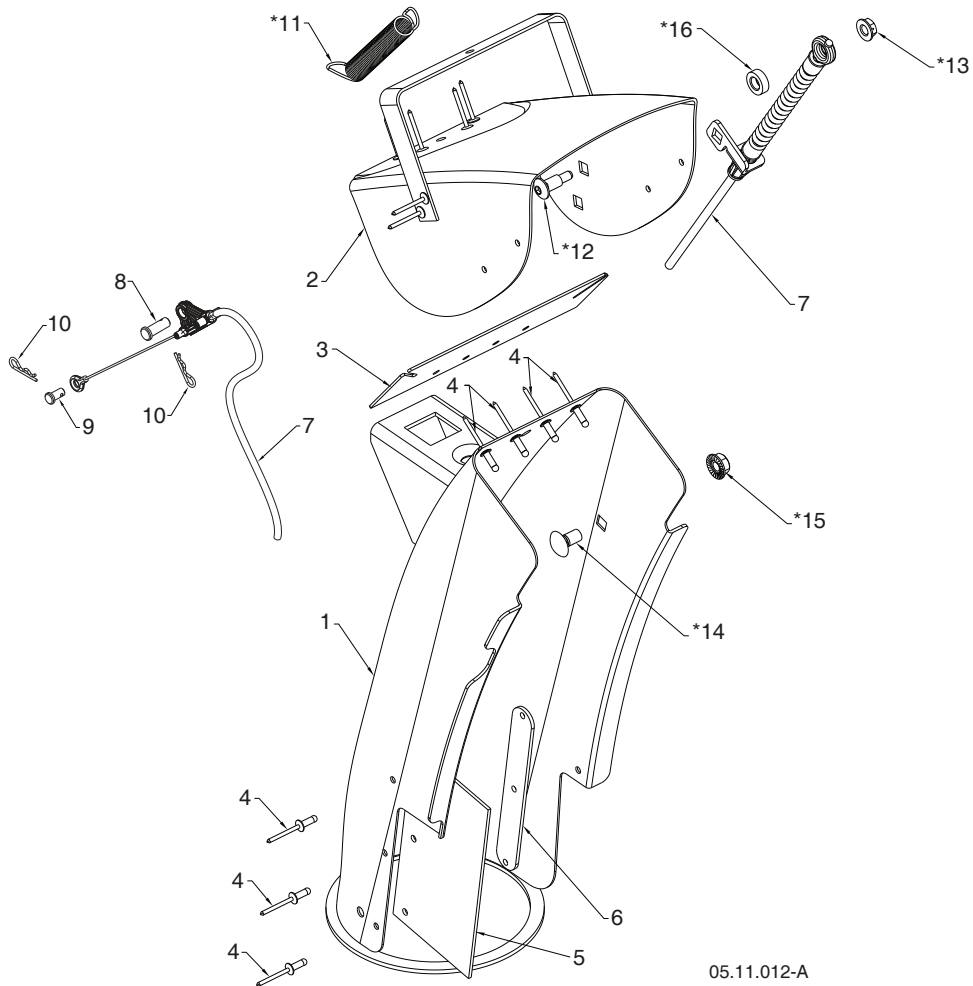
05.19.006-A

**NOTE:** All component dimensions given in U.S. inches. 1 inch = 25.4 mm  
**IMPORTANT:** Use only Original Equipment Manufacturer (O.E.M.) replacement parts. Failure to do so could be hazardous, damage your snow thrower and void your warranty.

# REPAIR PARTS

# CONTROL PANEL / DISCHARGE CHUTE

SNOW THROWER - MODEL NO. **ST 227** (97046890100), PRODUCT NO. 970 46 89-01



05.11.012-A

Ref.	Part No.	Description
1	588 07 78-02	CHUTE WELDMENT (INCLUDES 1, 2, 3, 4, 5, 6)
2	-----	DEFLECTOR WELDMENT
3	-----	DEFLECTOR SEAL
4	-----	POP RIVET
5	-----	CHUTE SNOW SHIELD
6	-----	SHIELD STRAP RETAINER
7	598 45 05-01	CONTROL.CHUTE.DEFLECTOR.BOWDEN
8	581 32 94-01	PIN CLEVIS 5/16 X .875

Ref.	Part No.	Description
9	585 80 83-01	PIN CLEVIS 1/4 X .312
10	532 42 33-03	HAIRPIN RETAINER
*11	532 18 45-05	DEFLECTOR SPRING
*12	501 41 73-01	CARRIAGE BOLT 1/4-20 X .544
*13	585 69 14-01	NUT 1/4-20
*14	585 83 20-01	CARRIAGE BOLT 3/8-16 X .625
*15	873 97 05-00	NUT 5/16-18
*16	501 41 74-01	WASHER .326 X .625 X .205 NYLON

**NOTE:** ALL ITEMS MARKED WITH AN \* ARE PROVIDED IN THE BAG OF ITEMS SHIPPED LOOSE WITH PRODUCT.

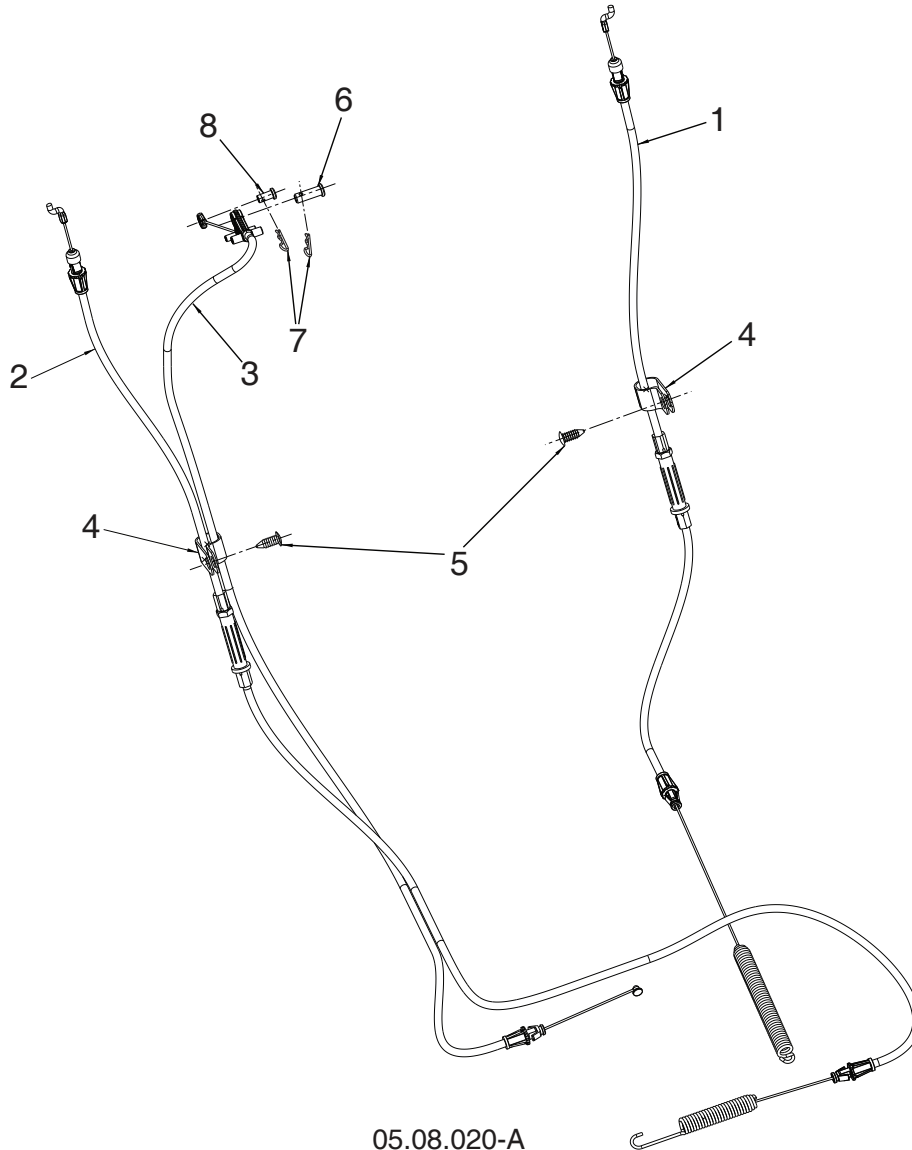
**NOTE:** All component dimensions given in U.S. inches. 1 inch = 25.4 mm  
**IMPORTANT:** Use only Original Equipment Manufacturer (O.E.M.) replacement parts. Failure to do so could be hazardous, damage your snow thrower and void your warranty.



# REPAIR PARTS

# CONTROL PANEL / DISCHARGE CHUTE

SNOW THROWER - MODEL NO. ST 227 (97046890100), PRODUCT NO. 970 46 89-01



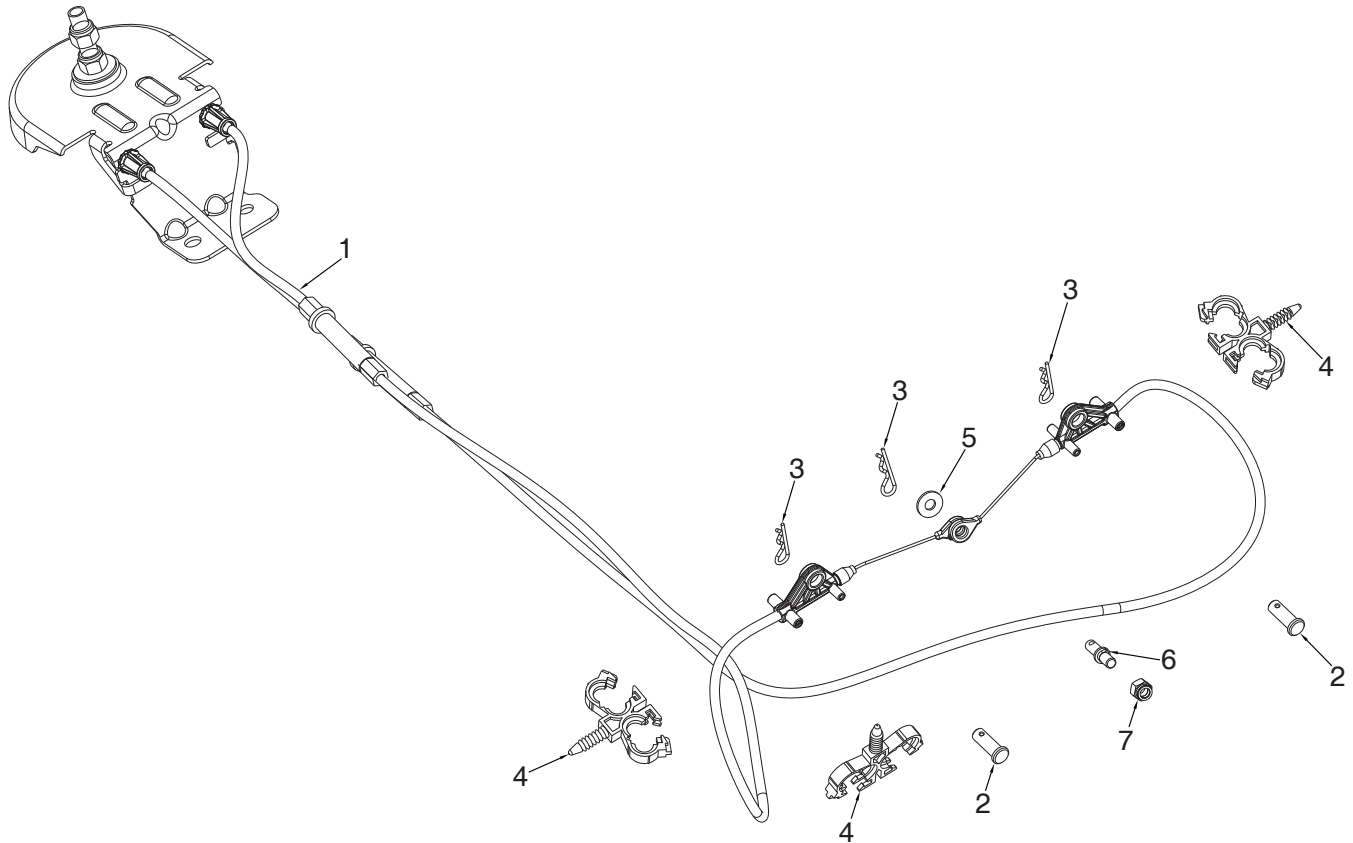
Ref.	Part No.	Description
1	582 51 90-02	CABLE CONTROL DRIVE
2	588 11 38-02	CABLE CONTROL AUGER
3	598 45 04-01	CABLE CONTROL SPEED
4	532 19 79-91	CLIP CABLE
5	532 42 81-24	FASTENER PUSH .250
6	581 32 94-01	PIN CLEVIS 5/16
7	532 42 33-03	HAIRPIN
8	585 80 83-01	PIN CLEVIS 1/4

**NOTE:** All component dimensions given in U.S. inches. 1 inch = 25.4 mm  
**IMPORTANT:** Use only Original Equipment Manufacturer (O.E.M.) replacement parts. Failure to do so could be hazardous, damage your snow thrower and void your warranty.

# REPAIR PARTS

# CONTROL PANEL / DISCHARGE CHUTE

SNOW THROWER - MODEL NO. **ST 227** (97046890100), PRODUCT NO. 970 46 89-01



05.08.022-A

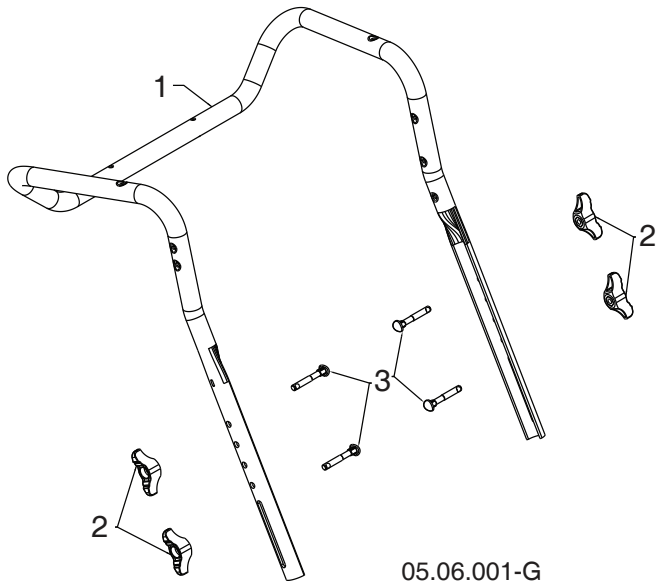
Ref.	Part No.	Description
1	598 80 34-01	CABLE ROTATOR ASM
2	581 32 94-01	PIN CLEVIS 5/16 X 7/8
3	532 42 33-03	HAIRPIN SOFT ZINC
4	584 65 22-01	CLIP CONDUIT DOUBLE
5	586 68 21-01	WASHER FLAT NYLON
6	596 71 72-01	CLEVIS RIGID PIN 5/16 X 1
7	595 08 66-01	NUT 1/4-20 HEX NYLOC

**NOTE:** All component dimensions given in U.S. inches. 1 inch = 25.4 mm  
**IMPORTANT:** Use only Original Equipment Manufacturer (O.E.M.) replacement parts. Failure to do so could be hazardous, damage your snow thrower and void your warranty.

# REPAIR PARTS

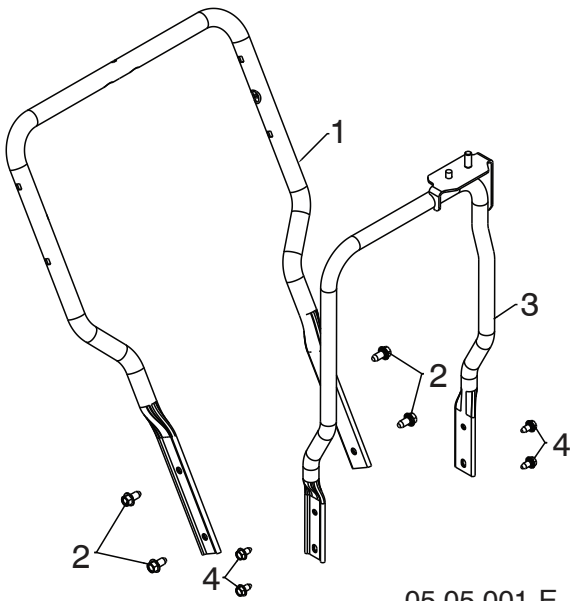
# HANDLES

SNOW THROWER - MODEL NO. ST 227 (97046890100), PRODUCT NO. 970 46 89-01



Ref.	Part No.	Description
1	588 16 08-03	UPPER HANDLE
2	532 19 19-38	HANDLE KNOB STD BLACK
3	588 05 99-01	SCREW 5/16-18 X 2.25 CONCAVE HEAD WITH PATCH

05.06.001-G



Ref.	Part No.	Description
1	588 67 21-03	LOWER HANDLE
2	817 00 06-12	SCREW HEX WASH HD 3/8-16 X .75
3	589 26 45-04	CHUTE ROTATOR SUPPORT ASM
4	817 00 05-10	BOLT HEX 5/16-18

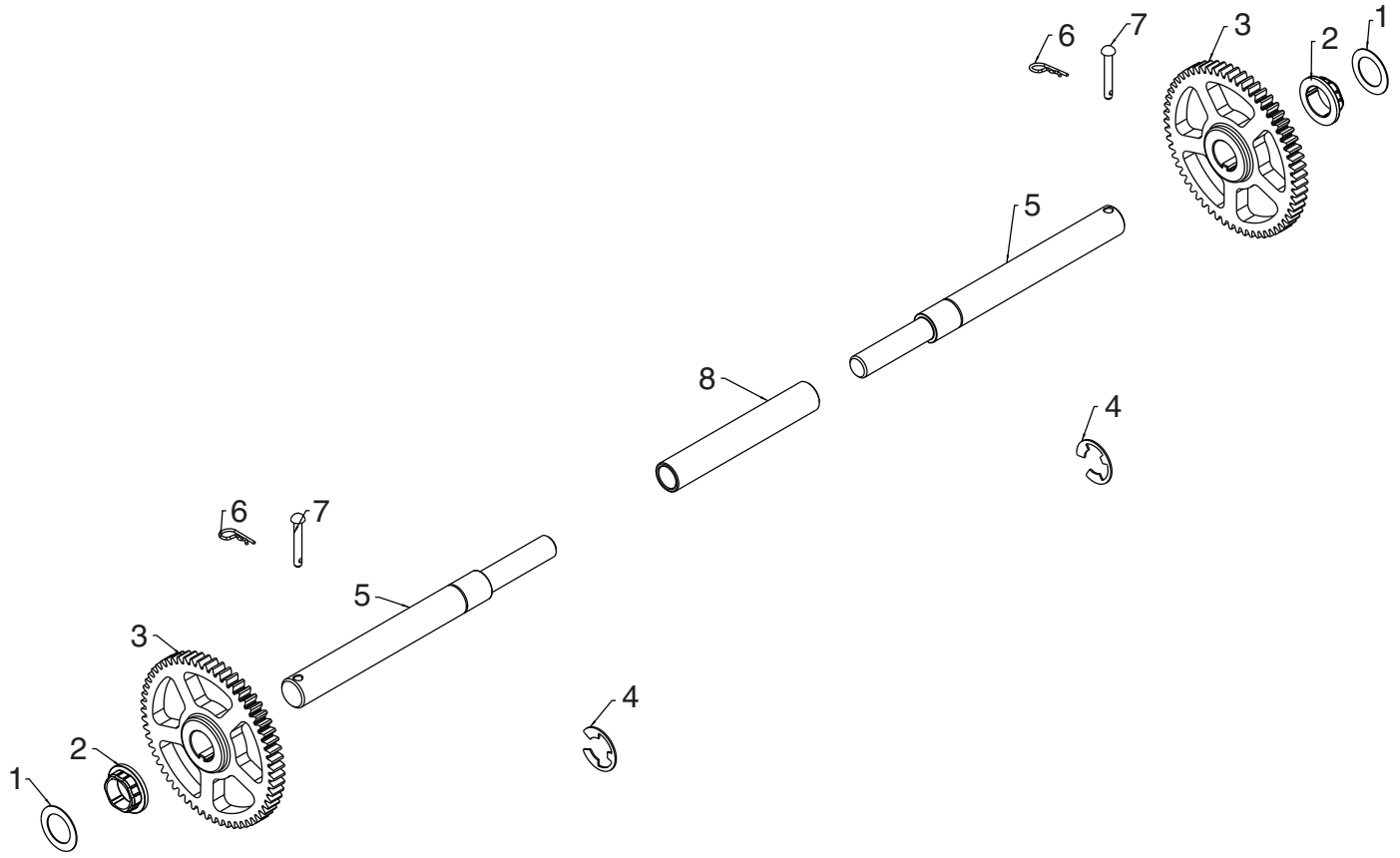
05.05.001-E

**NOTE:** All component dimensions given in U.S. inches. 1 inch = 25.4 mm  
**IMPORTANT:** Use only Original Equipment Manufacturer (O.E.M.) replacement parts. Failure to do so could be hazardous, damage your snow thrower and void your warranty.

# REPAIR PARTS

# DRIVE

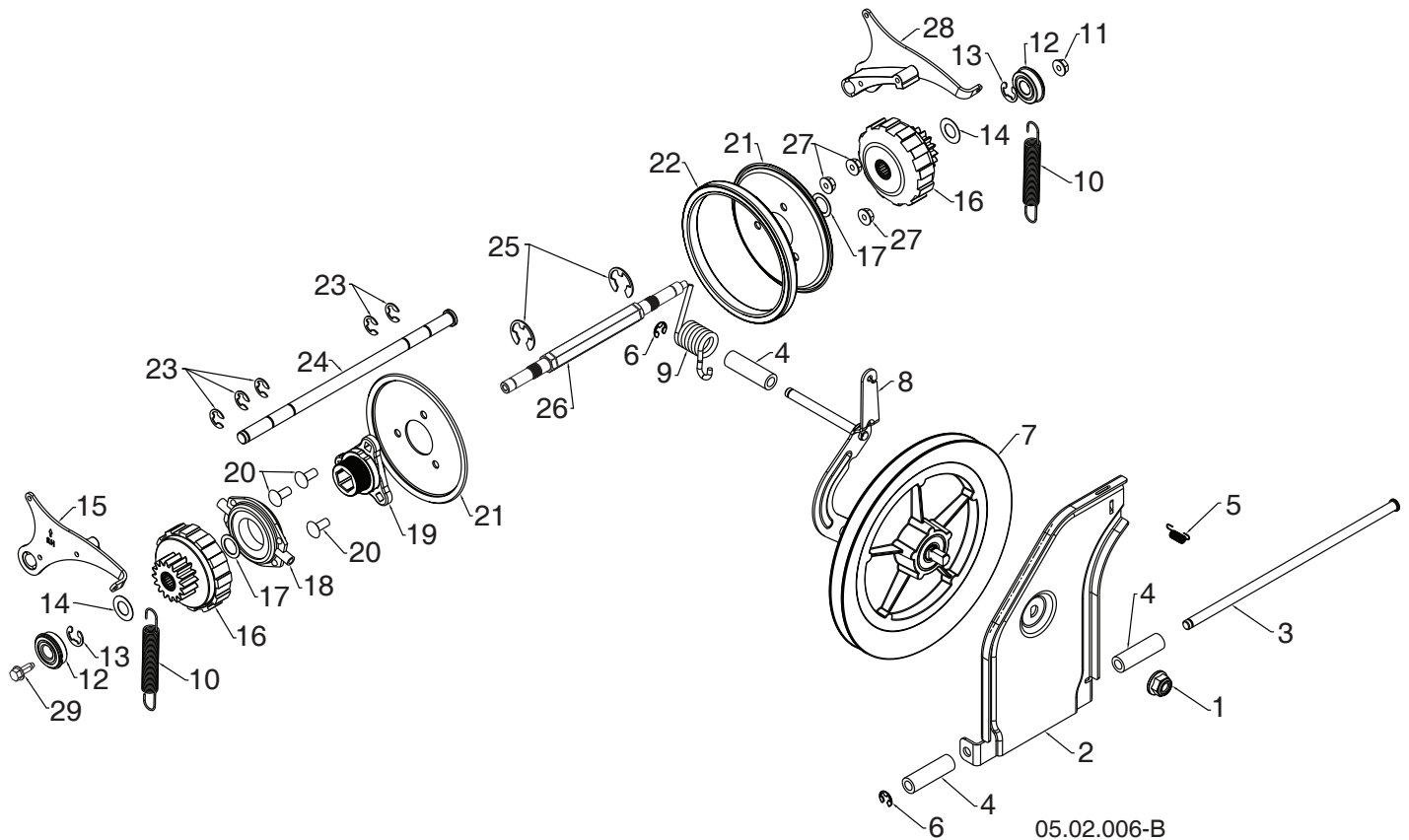
SNOW THROWER - MODEL NO. ST 227 (97046890100), PRODUCT NO. 970 46 89-01



05.03.002-B

Ref.	Part No.	Description
1	532 44 49-49	WASHER 1.00
2	587 97 89-01	BUSHING HEX 1 SHAFT
3	588 51 86-01	GEAR 59T DRIVEN
4	812 00 00-53	RETAINING RING
5	580 75 26-01	AXLE SHAFT SPLIT
6	532 12 47-88	RETAINER SPRING 1 ZINC
7	532 17 12-71	RIVET RD HD DRILLED 1/4 DIA
8	580 75 25-01	AXLE SLEEVE

**NOTE:** All component dimensions given in U.S. inches. 1 inch = 25.4 mm  
**IMPORTANT:** Use only Original Equipment Manufacturer (O.E.M.) replacement parts. Failure to do so could be hazardous, damage your snow thrower and void your warranty.



Ref.	Part No.	Description
1	521 99 11-02	NUT HEX FLANGE LK 1/2-13
2	592 72 33-02	TIP PLATE FRICTION PULLEY
3	581 12 30-02	ROD TIP PLATE
4	581 73 27-01	SPACER DRIVE
5	532 19 38-85	LATCH SPRING
6	595 84 11-01	E-RING RETAINER
7	581 32 84-02	TEXTURED DRIVE PULLEY ASSEMBLY
8	587 19 34-03	BRACKET YOKE ASSEMBLY
9	581 31 53-01	SPRING TORSION DRIVE
10	585 26 38-01	EXTENSION SPRING
11	585 69 15-01	NUT HEX FLANGE LOCK 5/16-18
12	580 75 62-01	BEARING 9/16 I.D. 1622-2RSNR
13	580 75 61-02	RETAINING RING 1622-2RSNR
14	580 75 13-01	WASHER FLAT .59 I.D. X 1.065 X 25 GA

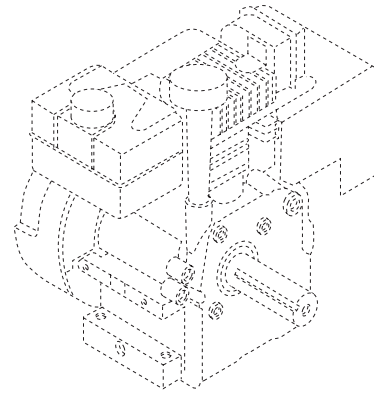
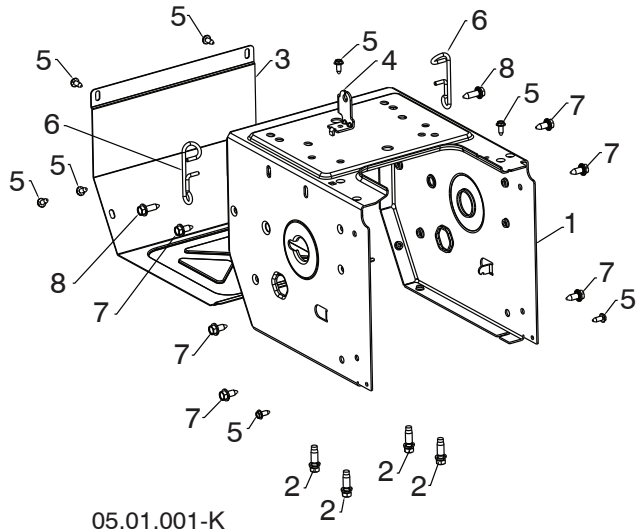
Ref.	Part No.	Description
15	580 75 66-01	PAWL ASM RH
16	580 75 60-01	GEAR ASM PLANETARY
17	580 75 63-01	WASHER FLAT .6875 I.D. X 1.00 X 21 GA
18	597 41 28-01	TRUNNION BEARING ASM
19	581 09 09-01	HUB RUBBER WHEEL
20	872 05 05-06	BOLT CARRIAGE 5/16-18 X .75
21	581 09 10-02	PLATE RUBBER WHEEL
22	597 36 28-01	FRICTION DRIVE RUBBER RING
23	586 64 43-01	E-RING
24	580 75 51-01	ROD PAWL
25	812 00 00-22	E-RING
26	596 67 09-01	HEX REDUCTION PS DOUBLE THREAD
27	532 75 11-53	NUT HEX FLANGE LK 5/16-18
28	580 75 67-01	PAWL ASM LH
29	595 51 77-01	5/16-18 MATHREAD HEX HEAD

**NOTE:** All component dimensions given in U.S. inches. 1 inch = 25.4 mm  
**IMPORTANT:** Use only Original Equipment Manufacturer (O.E.M.) replacement parts. Failure to do so could be hazardous, damage your snow thrower and void your warranty.

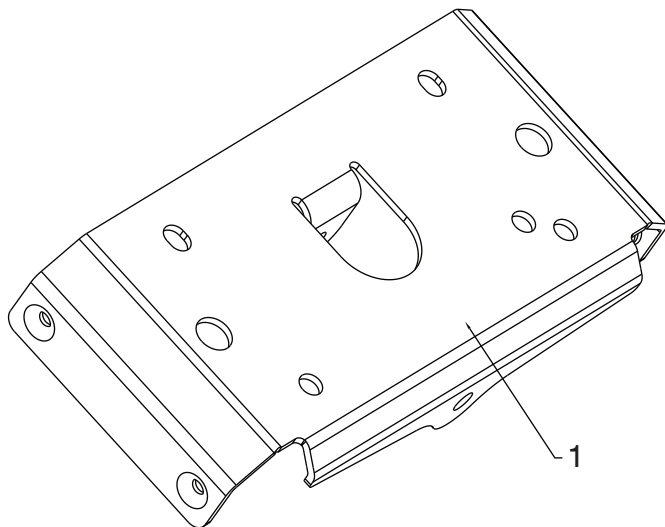
# REPAIR PARTS

# CHASSIS / ENGINE / PULLEYS

SNOW THROWER - MODEL NO. ST 227 (97046890100), PRODUCT NO. 970 46 89-01



Ref.	Part No.	Description
--	585 33 57-06	COMPLETE LCT ENGINE PW2HK18750178E
1	580 83 94-05	FRAME
2	532 15 04-06	ENGINE BOLT 3/8-16 X 1.280 DOG-POINT
3	580 83 95-05	FRAME COVER
4	501 06 04-03	SHIFTER BRACKET
5	582 90 69-01	SCREW HEX WASHER 1/4-20 X .625
6	588 95 45-01	WIREFORM SUPPORT CABLE
7	532 42 88-67	BOLT HEXHD WASHER 5/16-18 X .750
8	593 33 72-01	BOLT HEXHD WASHER 5/16-18 X 1.000



Ref.	Part No.	Description
1	583 94 05-02	SMALL MOUNTING PLATE

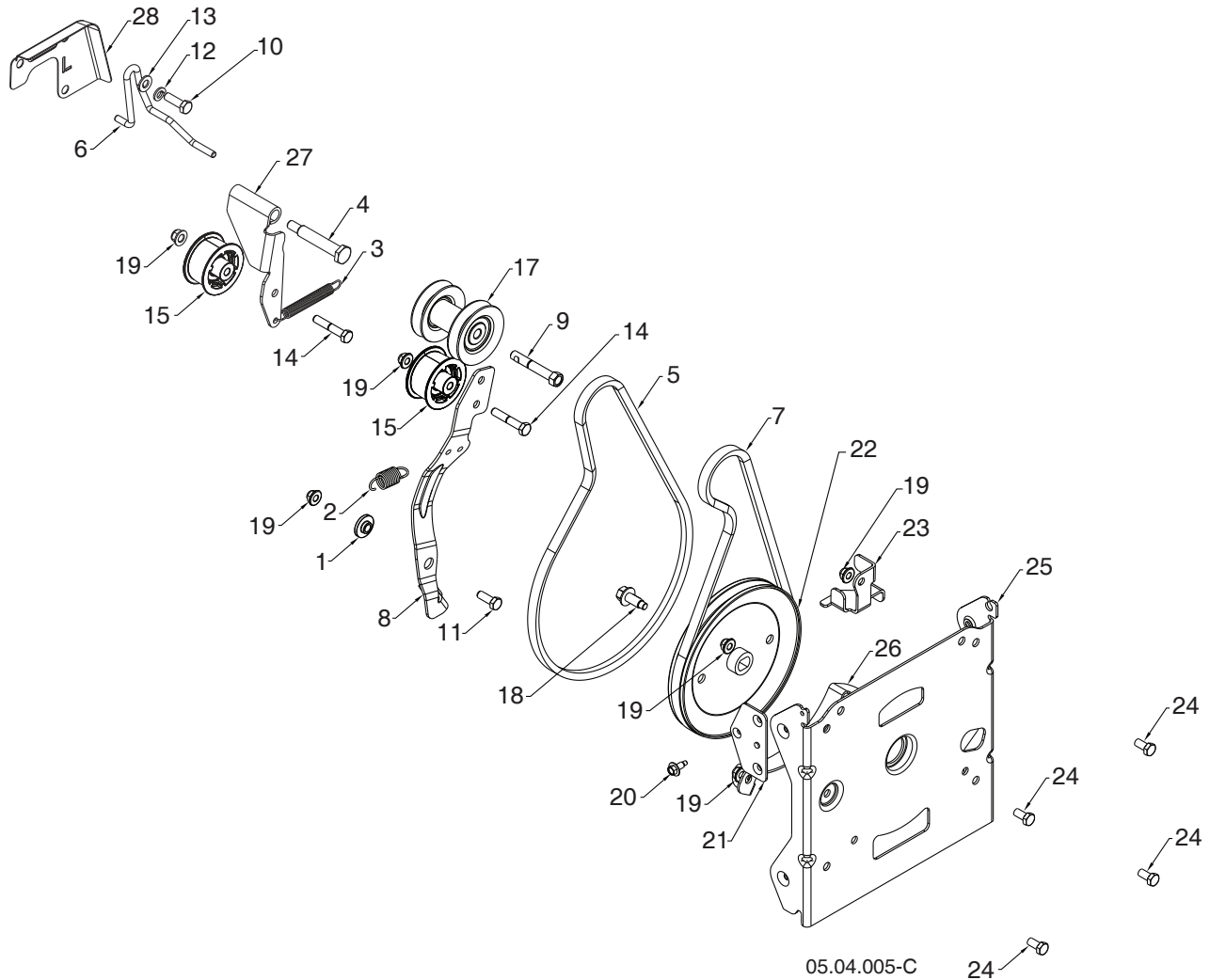
**NOTE:** All component dimensions given in U.S. inches. 1 inch = 25.4 mm

**IMPORTANT:** Use only Original Equipment Manufacturer (O.E.M.) replacement parts. Failure to do so could be hazardous, damage your snow thrower and void your warranty.

# REPAIR PARTS

# CHASSIS / ENGINE / PULLEYS

## SNOW THROWER - MODEL NO. ST 227 (97046890100), PRODUCT NO. 970 46 89-01



Ref.	Part No.	Description
1	587 34 37-01	BUSHING BRAKE ARM
2	587 03 12-01	SPRING RETURN IDLER ARM
3	580 75 30-01	SPRING RETURN IDLER ARM
4	581 41 38-01	BOLT SHOULDER 5/16-24 X 2.15
5	582 64 07-01	BELT DRIVE 3L
6	598 64 44-01	BELT GUIDE 4L IMPELLER 3L DRIVE
7	501 81 82-01	BELT IMPELLER LOW CRANK
8	580 83 11-06	ARM IDLER AUTO PH .676
9	582 38 84-01	BOLT ENGINE PULLEY
10	874 61 05-16	SCREW 5/16-24 X 1.00
11	596 32 22-01	BOLT HXHD 5/16-18 X .875
12	596 23 88-01	LOCKWASHER 5/16 SPLIT HVY
13	596 20 41-01	WASHER 11/32 X 3/4 X 16GA
14	874 76 05-28	BOLT HXHD 5/16-18 X 1.75

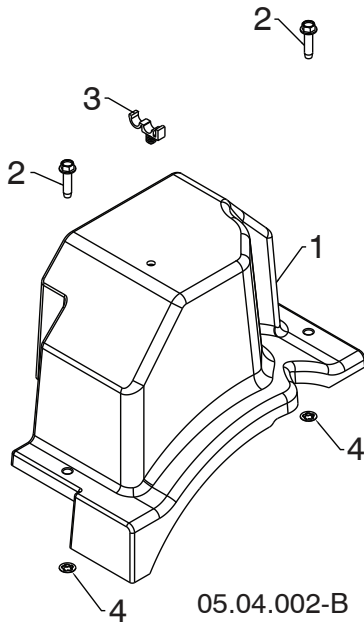
Ref.	Part No.	Description
15	581 1414-02	PULLEY IDLER 2.0 WITH SPACER
17	589 26 22-03	PULLEY ENGINE
18	595 51 79-01	SCREW FLANGE HEAD 3/8-16
19	594 94 44-01	NUT NYLOK FLANGE 5/16-18
20	585 51 78-01	SCREW 1/4-20 X .65 W/DOG POINT
21	590 04 46-02	BRACKET NUT BZP
22	590 69 92-01	PULLEY IMPELLER DD 4L
23	587 58 72-02	GUIDE LOWER AUGER BELT .479
24	596 03 16-01	BOLT HXHD 5/16-18 X 5/8
25	581 59 25-03	BRACKET AUG HOUSING INTER .479
26	581 63 20-02	BRACKET BELT KEEPER LOWER .479
27	593 19 25-02	ARM IDLER DRIVE
28	598 71 19-02	LC FRICTION DRIVE GUTTER COVER

**NOTE:** All component dimensions given in U.S. inches. 1 inch = 25.4 mm  
**IMPORTANT:** Use only Original Equipment Manufacturer (O.E.M.) replacement parts. Failure to do so could be hazardous, damage your snow thrower and void your warranty.

# REPAIR PARTS

# CHASSIS / ENGINE / PULLEYS

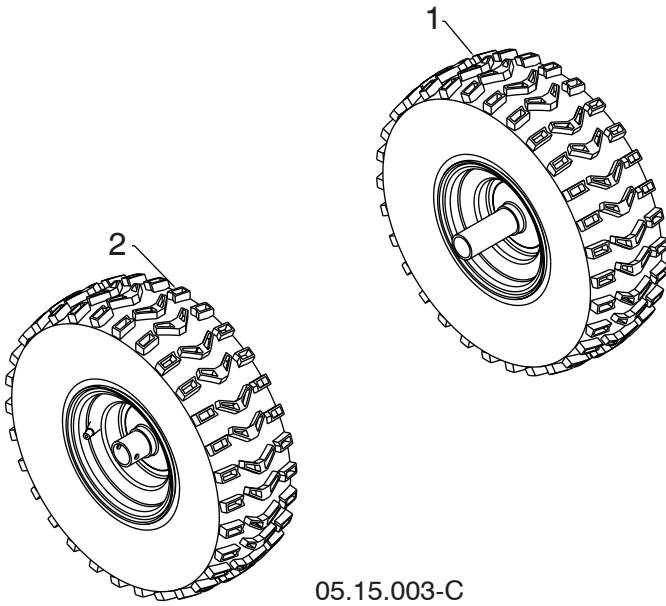
SNOW THROWER - MODEL NO. ST 227 (97046890100), PRODUCT NO. 970 46 89-01



Ref.	Part No.	Description
1	587 10 54-01	BELT COVER BLACK ASSEMBLY (INCLUDES 2 & 4)
2	-----	BOLT HEX WSH THDRL 1/4-20 X 1
3	532 14 50-06	CABLE GUIDE
4	-----	PALNUT 1/4 IN

**NOTE:** All component dimensions given in U.S. inches. 1 inch = 25.4 mm  
**IMPORTANT:** Use only Original Equipment Manufacturer (O.E.M.) replacement parts. Failure to do so could be hazardous, damage your snow thrower and void your warranty.





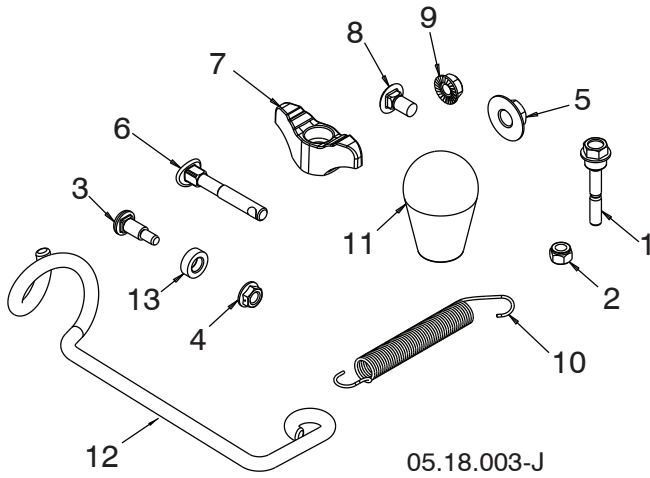
Ref.	Part No.	Description
1	586 71 04-01	WHEEL 15X5.00 NPS LH 1.00
2	586 71 03-01	WHEEL 15X5.00 NPS RH 1.00

**NOTE:** All component dimensions given in U.S. inches. 1 inch = 25.4 mm  
**IMPORTANT:** Use only Original Equipment Manufacturer (O.E.M.) replacement parts.  
Failure to do so could be hazardous, damage your snow thrower and void your warranty.

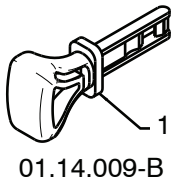
# REPAIR PARTS

# BAG OF PARTS

## SNOW THROWER - MODEL NO. ST 227 (97046890100), PRODUCT NO. 970 46 89-01



Ref.	Part No.	Description
1	588077502	BOLT 1/4-20 X 1.81
2	595086601	NUT NYLOCK 1/4-20
3	501417301	BOLT SHOULDER
4	585 69 14-01	NUT HEX FL 1/4-20 CTR
5	585 69 10-01	NUT NYLOCK 3/8-16
6	588 05 99-01	BOLT 5/16-18 X 2.25 CONCAVE
7	532 18 97-13	KNOB 5/16-18 TWO-WING
8	585 83 20-01	BOLT 5/16-18 X .625
9	873 97 05-00	NUT SERR FL LOCK 5/16-18
10	532 18 45-05	SPRING DEFLECT CHUTE
11	581 69 75-01	KNOB SOFT TOUCH SLOTTED
12	596 97 68-01	SUPPORT ROTATION CABLE
13	501 41 74-01	WASHER NYLON



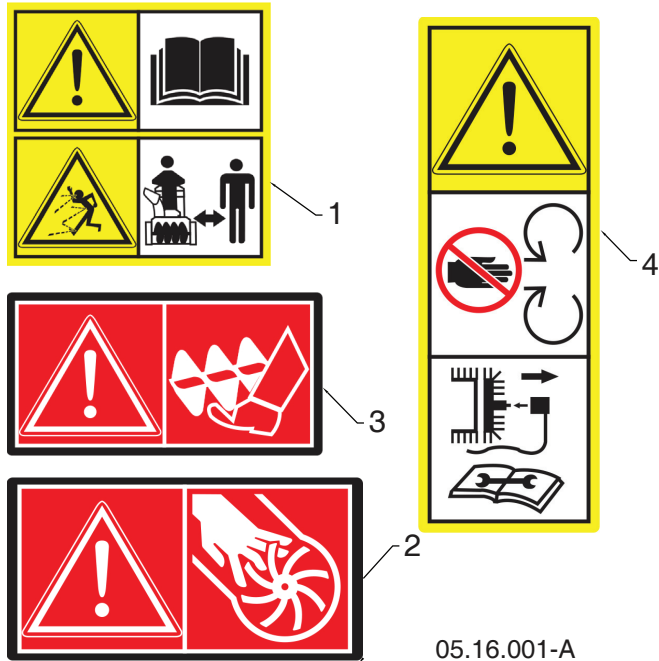
Ref.	Part No.	Description
1	532 44 30-59	SAFETY IGNITION KEY KIT

**NOTE:** All component dimensions given in U.S. inches. 1 inch = 25.4 mm  
**IMPORTANT:** Use only Original Equipment Manufacturer (O.E.M.) replacement parts. Failure to do so could be hazardous, damage your snow thrower and void your warranty.

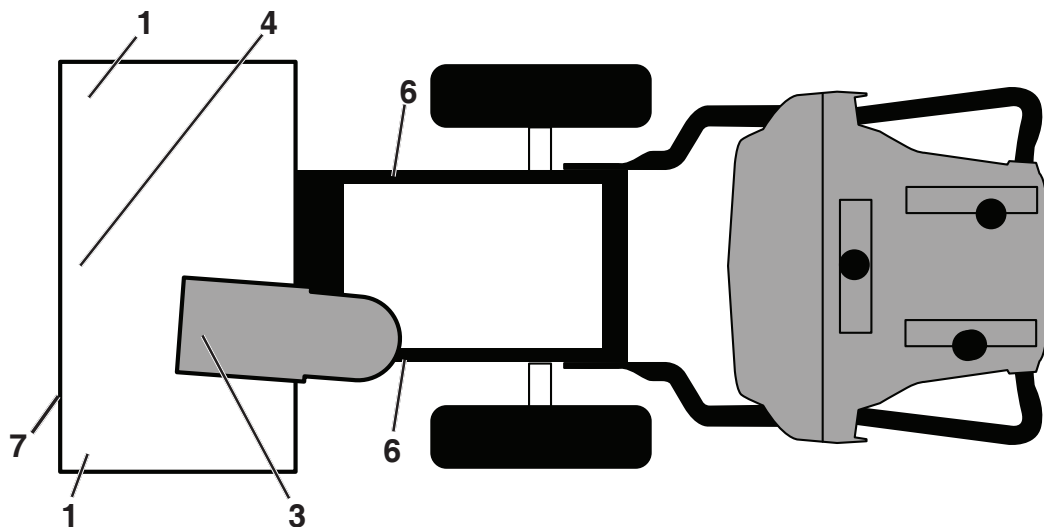
# REPAIR PARTS

# DECALS

## SNOW THROWER - MODEL NO. ST 227 (97046890100), PRODUCT NO. 970 46 89-01



Ref.	Part No.	Description
1	532 18 40-45	DECAL AUGER
2	590 81 22-01	DECAL CHUTE
3	532 19 96-83	DECAL AUGER SAFETY
4	532 18 40-28	DECAL BELT GUIDE



Ref.	Part No.	Description
1	532 19 96-83	DECAL, DANGER
3	590 81 22-01	DECAL, DANGER, DEFLECTOR
4	532 18 40-45	DECAL, DANGER
6	532 18 40-28	DECAL, BELT GUIDE

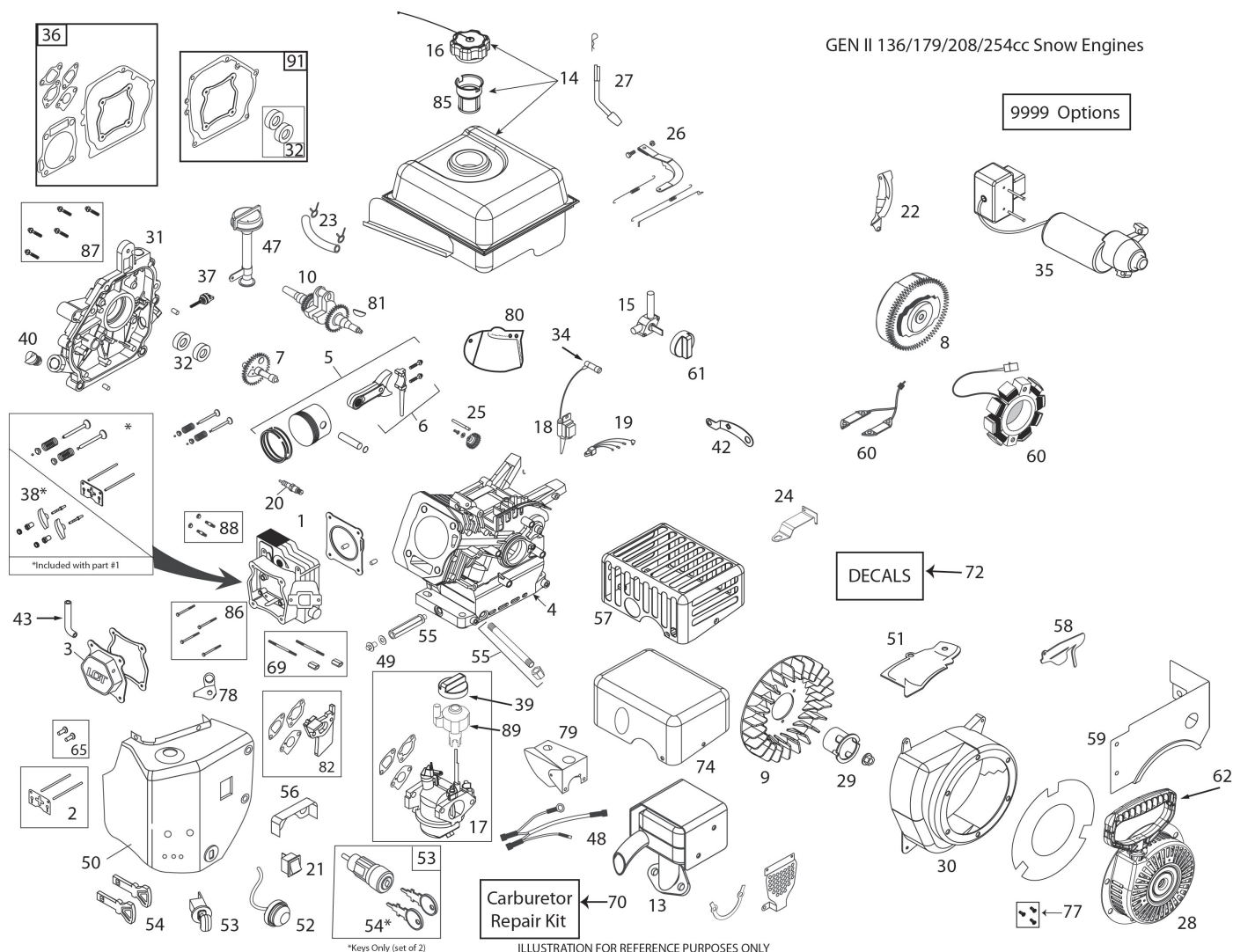
Ref.	Part No.	Description
7	593 09 63-01	DECAL, AUGER FRONT
--	590 69 72-01	DECAL, ENG. RECOIL (NOT SHOWN)
--	114 22 70-49	OPERATOR'S MANUAL, ENGLISH, FRENCH, SPANISH

**NOTE:** All component dimensions given in U.S. inches. 1 inch = 25.4 mm  
**IMPORTANT:** Use only Original Equipment Manufacturer (O.E.M.) replacement parts. Failure to do so could be hazardous, damage your snow thrower and void your warranty.

# ENGINE, LCT

# COMPLETE ENGINE-585335706

GEN II 136/179/208/254cc Snow Engines



\*Keys Only (set of 2) ILLUSTRATION FOR REFERENCE PURPOSES ONLY

Ref.	Part No.	Description
1	585 77 14-01	Cylinder Head Assembly - 254cc (incl. Gasket)
2	585 77 15-01	Push Rod & Plate Kit (254cc)(incl. valve cover gskt)
3	585 77 16-01	Valve Cover (254cc) (incl. Gasket)
4	N/A	N/A
5	585 77 17-01	Piston & Rod Assembly (254cc)
6	N/A	N/A
7	585 77 18-01	Camshaft - MCR (254cc)
8	585 77 19-01	Flywheel - Electric Start (8-charging magnets) (254cc)
9	532 42 05-86	Cooling Fan - Flywheel (Plastic - 208cc)
10	585 77 20-01	Crankshaft (#18 Keyed 254cc Snow)

Ref.	Part No.	Description
13	585 77 21-01	Muffer Assembly 254cc
14	585 77 22-01	Fuel Tank (Snow) (2.7L Black 254cc)
15	532 42 92-34	Fuel Tank On/Off Valve (Petcock) - GEN II Snow
16	532 42 49-42	Fuel Tank Cap - Black Click Style (Vented)
17	587 15 41-01	Carburetor (L15D) (254cc Snow w/ idle-down control) (w/gskts)
18	532 44 38-94	Ignition Coil (CDI) (208cc)(Hi-Temp)
19	N/A	N/A
20	532 44 38-98	Spark Plug - Platinum
21	532 42 49-57	On/Off Switch - Rocker
22	585 77 24-01	Shield - Flywheel (Electric 208cc)

**NOTE:** All component dimensions given in U.S. inches. 1 inch = 25.4 mm  
**IMPORTANT:** Use only Original Equipment Manufacturer (O.E.M.) replacement parts. Failure to do so could be hazardous, damage your snow thrower and void your warranty.

## ENGINE, LCT

Ref.	Part No.	Description
23	532 43 80-14	Fuel Hose Kit (1/4' ID x 318mm)
24	585 77 25-01	Speed Control Bracket (Fixed)(254cc Snow)
25	532 42 96-46	Governor Gear Assembly (136/208cc)
26	585 77 26-01	Governor Arm & Link Kit (254cc Snow)
27	532 42 06-02	Governor Arm Paddle
28	532 43 69-67	Recoil Starter Assy(Round-Black) Snow
29	532 43 69-68	Starter Cup (use with Round Style Starter) (208cc Snow)
30	587 15 42-01	Blower Housing - Black Electric Start w/Front Oil Drain
31	585 77 27-01	Crankcase Cover (Press-In Type High Oil-Fill Tube)
32	585 77 28-01	Oil Seal Kit (2 Pcs)
34	532 43 69-66	Spark Plug Boot - with metal shield (Snow)
35	532 43 64-66	120V Electric Starter (208/254cc Gen II) (side mount)
36	585 77 29-01	Engine Gasket Kit (254cc) (does not include oil seals)
37	N/A	N/A
38	585 77 30-01	Rocker Arm Kit (254cc)(incl. gasket)
39	532 42 92-24	Choke Control Knob (GEN II Red)
40	532 42 95-98	Non-Removable Plastic Plug (136/208/254cc)
42	N/A	N/A
43	580 35 34-01	Breather Tube (136/208/254cc)
47	581 00 72-01	High Oil-Fill Tube/Dipstick (Press-In Type)
48	532 42 92-62	Wire Harness (208cc Snow)
49	532 43 54-95	Oil Drain Plug w/washer (136/208/254cc)
50	585 77 31-01	Heater Box Kit (254cc Snow)
51	585 77 32-01	Cylinder Cover Shield
52	532 42 49-49	Primer Bulb With Hose-Snow

## COMPLETE ENGINE-585335706

Ref.	Part No.	Description
53	532 42 49-54	Safety Key Switch -Snow (incl. keys)
54	532 44 30-59	Key Set - Red (2) (Snow)
55	587 15 44-01	Front Oil Drain Pipe & Nut Assy
56	585 77 33-01	Carburetor Vapor Shield (254ccSnow)
58	585 77 34-01	Shield - Governor linkage (254cc-Snow)
59	585 77 35-01	Fuel Tank Skirt (254cc Snow)
60	532 44 38-93	Charging Coil (60-watt AC) (208/254cc)
61	532 43 27-52	Fuel Control Knob (GEN II Snow - Red)
62	532 44 38-99	Starter Grip-Snow (Deluxe)
65	581 37 28-01	Tappet Kit (208/254cc)(Set of 2)
69	532 42 49-51	Carburetor Studs & Coupling Kit-Snow
70	580 35 36-01	Carburetor Repair Kit (136/208/254cc)
72	532 43 56-47	Label Kit HOP 2 Stage Snow
74	587 82 11-01	Muffler Guard 208-254cc
77	532 43 26-88	Recoil Bolt Kit (3 bolts per kit)
78	N/A	N/A
79	585 77 37-01	Carburetor Cover (136cc Snow)
80	585 77 38-01	Shield Governor Link - 254cc Snow
81	585 29 72-01	Woodruff Flywheel Keys (5-pack) (5x6x18mm)
82	585 02 05-03	208CC/254CC CARBURETOR SPACER KIT
85	586 32 56-01	Fuel Tank Strainer
86	586 32 73-01	Cylinder Head Bolt Kit (4) (136-179-208-254cc)
87	586 32 69-01	CC Cover Bolt Kit (6) (179-208-254cc)
88	586 32 68-01	Muffler Mtg Stud Kit (2)
89	587 12 48-01	Speed Control Knob (grey)
91	587 99 41-02	Crankshaft Gasket Kit 254cc
9999	587 15 48-01	High Altitude Jet (>6,000 feet)
9999	579 80 64-01	Bolt Kit - Blwr Hgs/Heater Box/Tank Skirt

**NOTE:** All component dimensions given in U.S. inches. 1 inch = 25.4 mm  
**IMPORTANT:** Use only Original Equipment Manufacturer (O.E.M.) replacement parts. Failure to do so could be hazardous, damage your snow thrower and void your warranty.